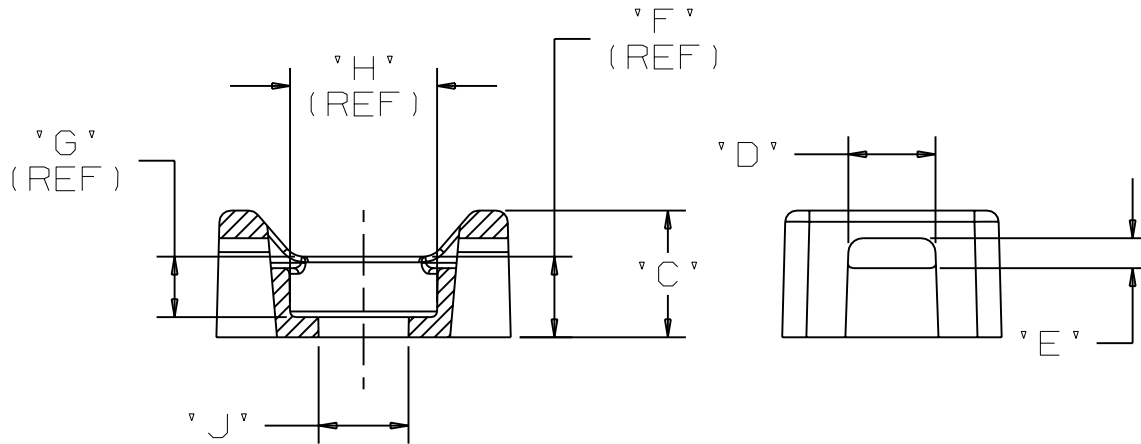
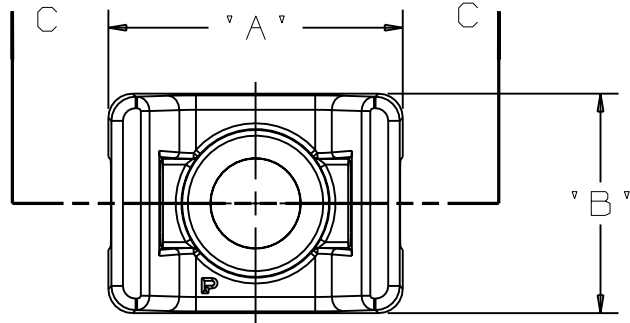


THIS COPY IS PROVIDED ON A RESTRICTED BASIS AND IS NOT TO BE USED IN ANY WAY DETRIMENTAL TO THE INTERESTS OF PANDUIT CORP.

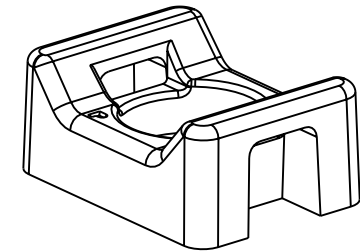
| PANDUIT PART NO | REC'M FASTENER | DIMENSIONS | | | | | | | | | WEIGHT | |
|------------------------------|------------------|-----------------|----------------|---------------|-----------------|-----------------|----------------|----------------|-----------------|-----------------|-----------------|---------|
| | | 'A' | 'B' | 'C' | 'D' | 'E' | 'F' | 'G' | 'H' | 'J' | lbs 100 | (g) pcs |
| TMSG1S6-____ SGTM1S6-____ | #6 (M3) SCREW | 0.51 (12.95) | 0.38 (9.65) | 0.22 (5.6) | 0.151 (3.84) | 0.051 (1.30) | 0.14 (3.56) | 0.10 (2.54) | 0.257 (6.53) | 0.153 (3.90) | 0.78 (353.8) | |

USE WITH THESE
CABLE TIE
CROSS SECTIONS

M,
SG100M



SECTION C - C



| | |
|---|--|
| DIMENSIONS IN BRACKETS ARE METRIC [mm] | |
| CAD FILENAME/LAYERS G03150FJ_PB_SGTM1S6_00 | |
| PANDUIT CORP. TINLEY PARK, ILLINOIS | |
| TIE MOUNT FOR SUPER GRIP TIES (SGTM1S6- _ TMSG1S6- _) | |
| UNLESS OTHERWISE SPECIFIED, DIMENSIONAL TOLERANCES ARE: (.X) ±0.05 (1.3) (.XXX) ±0.010 (0.25) (.XX) ±0.02 (0.5) ANGLES ±5° | UNLESS OTHERWISE SPECIFIED, ALL DIMENSIONS ARE GIVEN IN INCHES, THIRD ANGLE PROJECTION. |
| DRAWN BY JAD | MAT'L: NYLON 6/6 |
| DATE 8/17/06 | SCALE 4X |
| CHK'D | DRAWING NO. GB3150FJ |
| | DWG SIZE A |

| REV | DATE | BY | CHK | DESCRIPTION | ECN | R | CUST | SUP |
|-----|---------|-----|-----|-----------------|----------|---|------|-----|
| R | 8/17/06 | JAD | | INITIAL RELEASE | GB3150FJ | R | | |